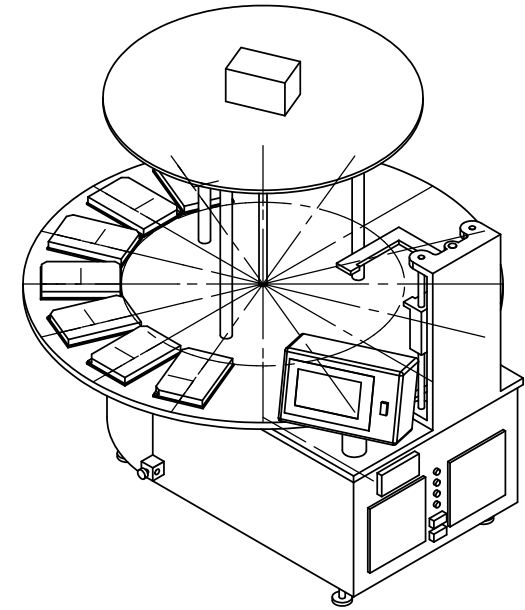
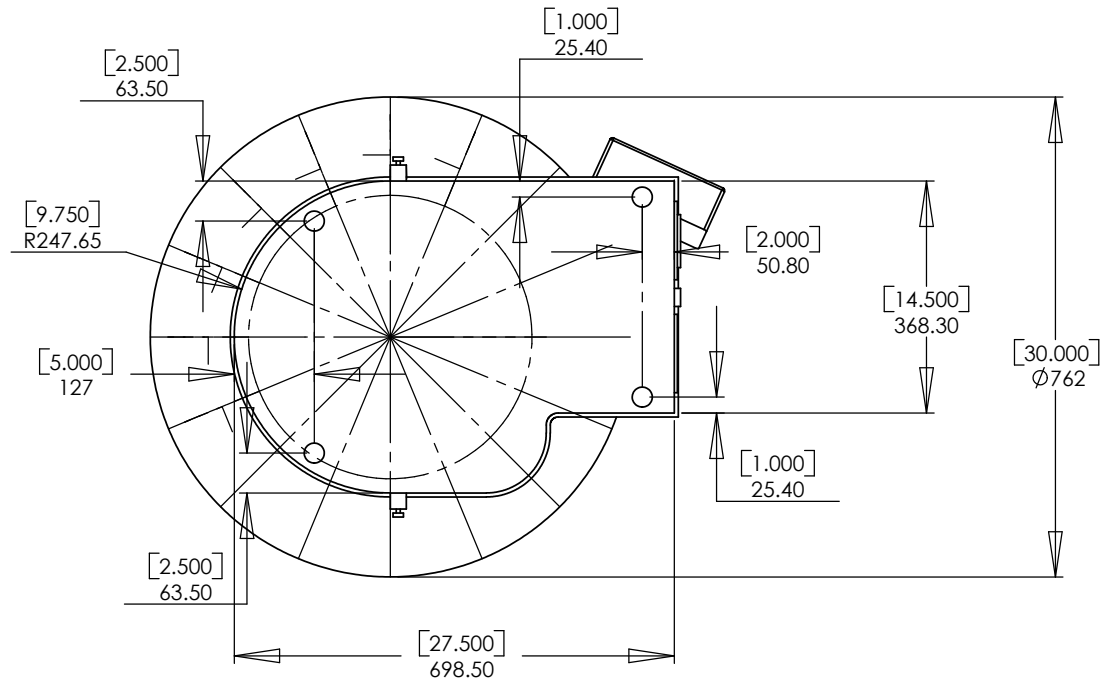
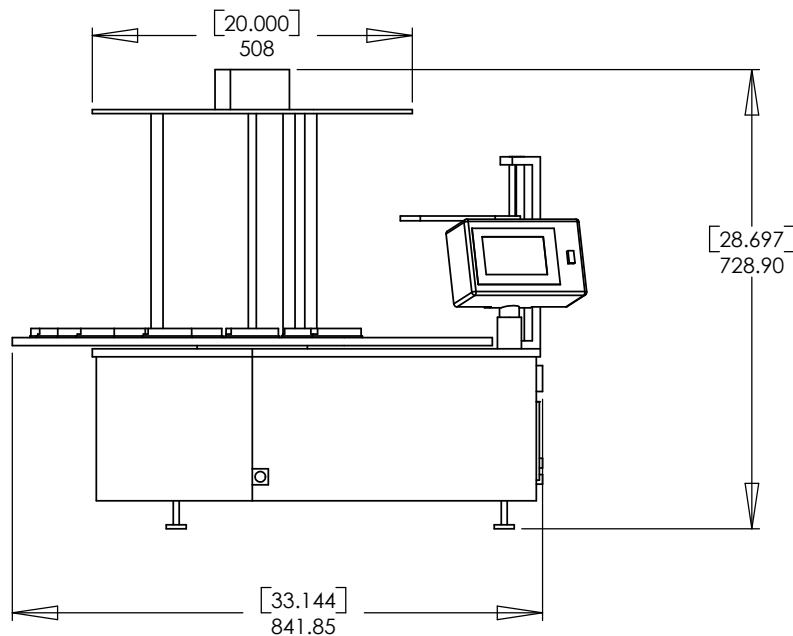


BOTTOM VIEW



SIDE VIEW



PROPRIETARY AND CONFIDENTIAL
 THE INFORMATION CONTAINED IN THIS
 DRAWING IS THE SOLE PROPERTY OF
 V&P Scientific. ANY
 REPRODUCTION IN PART OR AS A WHOLE
 WITHOUT THE WRITTEN PERMISSION OF
 V&P Scientific IS PROHIBITED.

DIMENSIONS ARE in: [inches]
 mm

Ernesto Garcia 3/1/07

V&P Scientific, Inc.

Title: VP 903A Footprint

Dwg. No. 070301A Rev.0

5

↑

4

3

2

1