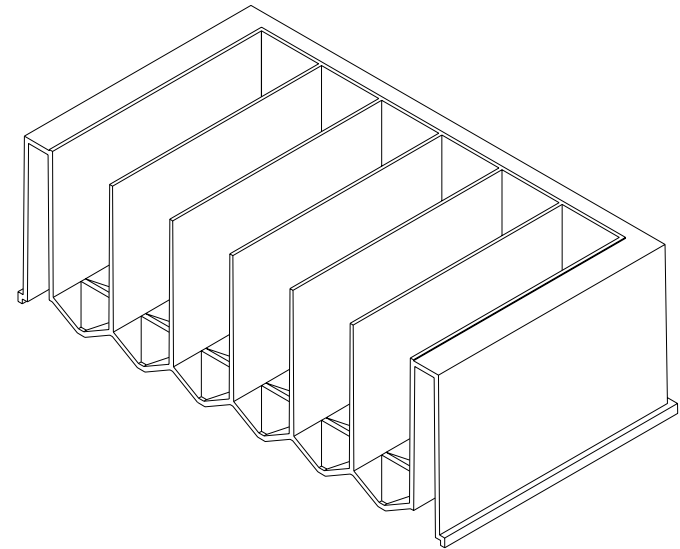
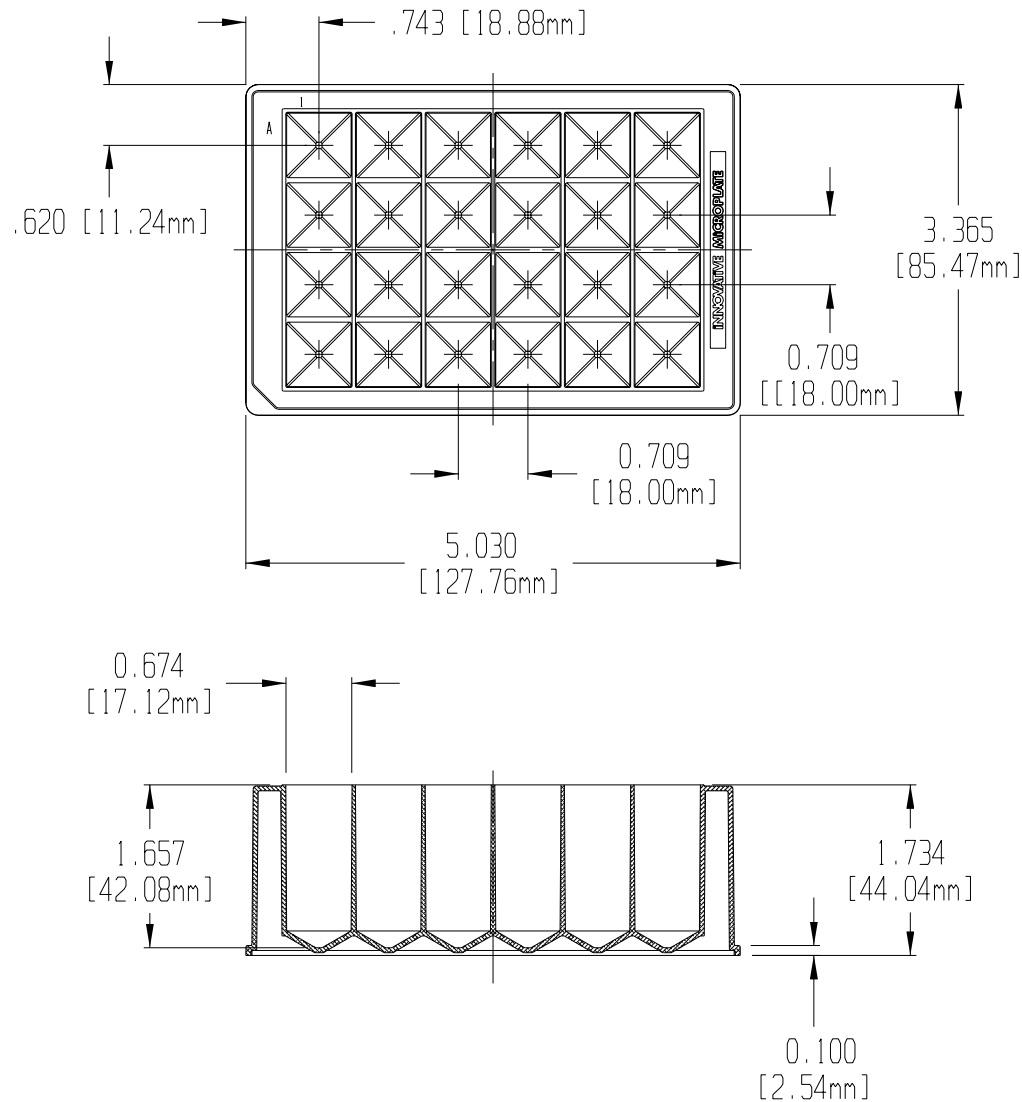


REV.	ECO NO.	DESCRIPTION
A	000167	RELEASE TO PRODUCTION.



NOTES:
1. MAX VOLUME OF WELL 47ml

FOR REFERENCE ONLY

INNOVATIVE
CUSTOM **MICROPLATE**
MICROPLATES

1998 WESTOVER RD.
CHICOPEE, MA 01022
TEL. (413) 593-5300
FAX (413) 593-5900

© 2002
CONFIDENTIAL
TRADE SECRETS
PATENTS ISSUED
AND PENDING
DO NOT COPY
OR DISCLOSE
WITHOUT WRITTEN
PERMISSION OF
INNOVATIVE MICROPLATE

TOLERANCES UNLESS
OTHERWISE SPECIFIED
XX ± .03
XXX ± .015
XXXX ± .0005
FRACTION: ± 1/64
ANGULAR: ±0°15'
RADIUS 0.015" UNLESS
OTHERWISE SPECIFIED
BREAK ALL SHARP EDGES

MATERIAL:
NATURAL POLYPROPYLENE

CONCENTRATE:

DATE:
9/5/03

DRAWN BY:
S. MORLEY

PRT NAME:
6 COLUMN, PARTITION RESERVOIR, PYRAMID BOTTOM

CATALOG NO.:
S30030

APPR BY:
S. YOUNG

PRT SIZE:
A

SCALE:
NTS

SHEET 1 OF 1

REV.
A