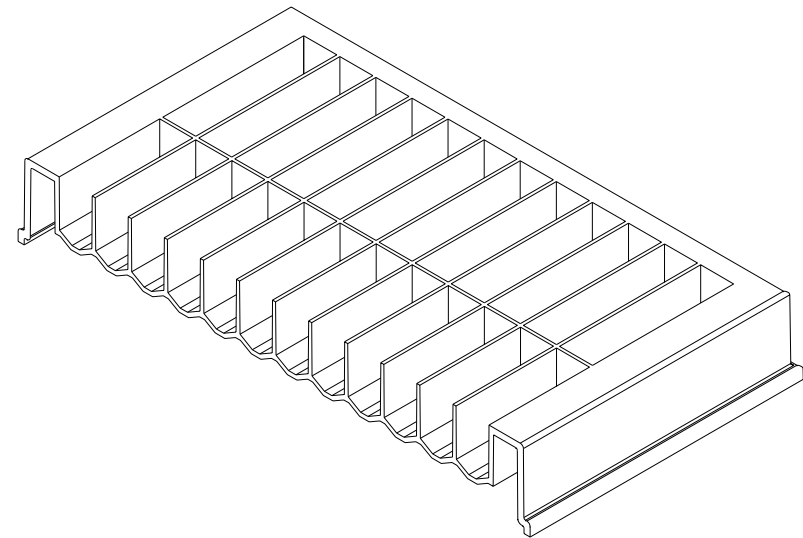
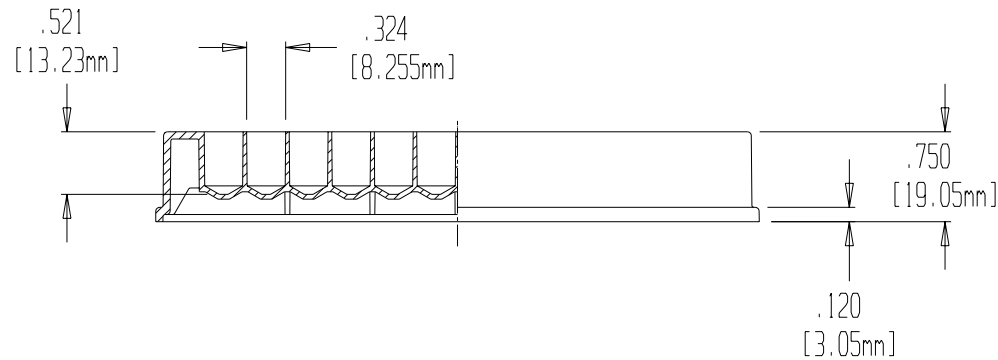
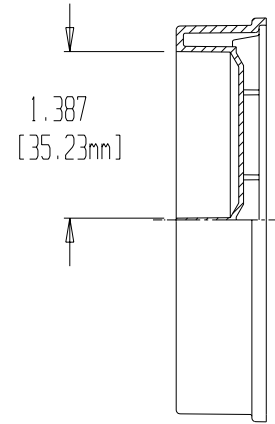
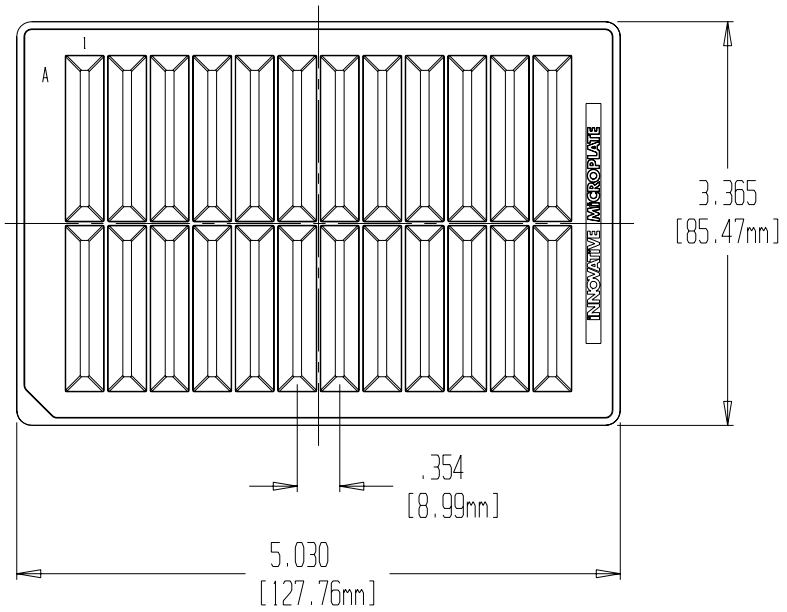


REV.	ECO NO.	DESCRIPTION
A	000294	RELEASE TO PRODUCTION.



NOTE:  
MAX VOLUME OF COLUMN 3.50ml

FOR REFERENCE ONLY

**INNOVATIVE**  
CUSTOM **MICROPLATE**  
MICROPLATES

1998 WESTOVER RD.  
CHICOPEE, MA 01022  
TEL. (413) 593-5300  
FAX (413) 593-5900

© 2001  
CONFIDENTIAL  
TRADE SECRETS  
PATENTS ISSUED  
AND PENDING  
DO NOT COPY  
OR DISCLOSE  
WITHOUT WRITTEN  
PERMISSION OF  
INNOVATIVE MICROPLATE

TOLERANCES UNLESS  
OTHERWISE SPECIFIED  
XX ± .03  
XXX ± .015  
XXXX ± .0005  
FRACTION: ± 1/64  
ANGULAR: ±0°15'  
RADIUS 0.015" UNLESS  
OTHERWISE SPECIFIED  
BREAK ALL SHARP EDGES

**MATERIAL:** RESPPCP  
NATURAL POLYPROPYLENE  
**CONCENTRATE:**  
**DATE:** 2/22/05  
**DRAWN BY:** KN

**PRT NAME:**  
24 COLUMN , 3.5ml PARTITION RESERVOIR,  
LOW PROFILE, PYRAMID BOTTOM, NATURAL PP  
**CATALOG NO.:** S30039  
**APPR BY:**      **PRT SIZE:** A  
**SCALE:** NTS      **SHEET** 1 of 1      **REV.** A